



Free Space Polarizer

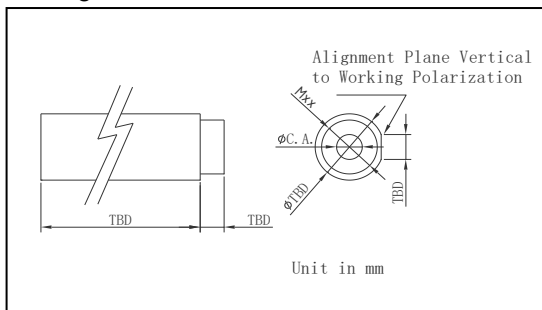
I&Optics' free space polarizer can polarize any light into one or two plane polarization portions. The polarizer can easily work with other functional components by the flexible interface. It features very high extinction ratio and high power handling capability due to our unique design. It can be used in lasers, sensors, testing systems and R&D.

Specification

Parameter	Test Condition	Unit	Value	
Model Type	-	-	TBD	H-Type
Nominal Center Wavelength	-	nm	633, 850, 980, 1060, 1310, 1550, 2000 or Specify	
Wavelength Range	-	nm	+/-20 for 633/850/ 980/1060nm, others +/-50	+/-30
Min. Transmission Ratio	at Center Wavelength (Proper SOP)	%	Typ. 95	
Nominal Clear Aperture	-	mm	0.9~20.0	
Polarization Relation of Beams	-	-	Single Output or Parallel / Vertical	Single
Min. Extinction Ratio	at 25°C, Input to Output	dB	35~60	
Max. Power Handling Rate*	Continuous Wave	W	0.3	1, 5, 10, 100 or Specify
Operating Temperature	-	°C	-5 to 70	0 to 50
Storage Temperature	-	°C	-40 to 85	-10 to 70

*It is dependent on the input state of polarization (SOP) due to probable absorption or scattering. Proper input SOP results in higher handling power. Special applications please call.

Package Dimensions



Ordering Informations

FSP-①-②-③-④-⑤-⑥-⑦

① - Center Wavelength
63 - 633nm
85 - 850nm
98 - 980nm
06 - 1060nm
31 - 1310nm
55 - 1550nm
20 - 2000nm
SS - Specify

② - Model Type
TBD

③ - Power Rate
0T - 0.3W
01 - 1W
05 - 5W
10 - 10W
1H - 100W

④ - Clear Aperture
1 - 0.9mm
3 - 2.8mm
5 - 5.0mm
10 - 10.0mm
15 - 15.0mm
20 - 20.0mm

⑤ - Escape Window
W - With
O - Without

⑥ - Interface Type
05 - M5
09 - M9
13 - M13
20 - M20
32 - M32